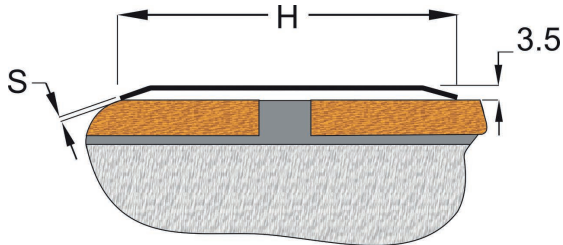


PRICE LIST  
2015

 **Prächtig**®  
profiles & systems

# ALL-PURPOSE FINISHING PROFILES

## JUNCTION PROFILES

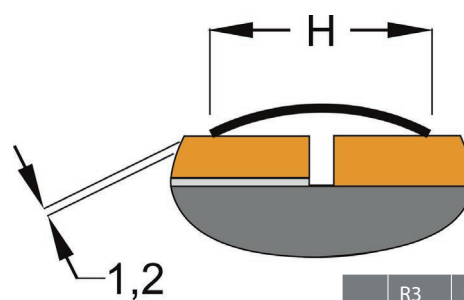
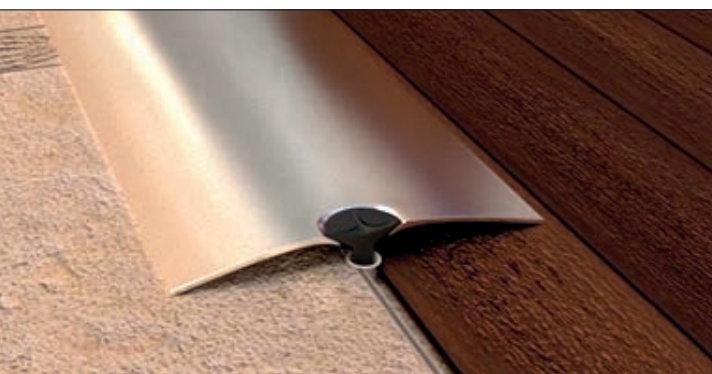


	A3	A4	A5	A6	A7	A8	A9	A10
H	30	40	50	60	70	80	90	100
S	1	1,2	1,5	1,5	1,5	1,5	1,5	1,5

ARTICLE			
POLISHED SURFACE	GROUND SURFACE	LENGTH (MM)	PRICE , €
A3 EP 90	A3 EM 90	900	5.45
A3 EP 180	A3 EM 180	1800	6.73
A3 EP 270	A3 EM 270	2700	8.96
A4 EP 90	A4 EM 90	900	6.26
A4 EP 180	A4 EM 180	1800	10.71
A4 EP 270	A4 EM 270	2700	14.47
A5 EP 90	A5 EM 90	900	8.45
A5 EP 180	A5 EM 180	1800	16.90
A5 EP 270	A5 EM 270	2700	22.81
A6 EP 90	A6 EM 90	900	10.23
A6 EP 180	A6 EM 180	1800	20.46
A6 EP 270	A6 EM 270	2700	27.63
A7 EP 90	A7 EM 90	900	11.43
A7 EP 180	A7 EM 180	1800	22.87
A7 EP 270	A7 EM 270	2700	30.88
A8 EP 90	A8 EM 90	900	12.96
A8 EP 180	A8 EM 180	1800	25.92
A8 EP 270	A8 EM 270	2700	35.00
A9 EP 90	A9 EM 90	900	14.95
A9 EP 180	A9 EM 180	1800	29.91
A9 EP 270	A9 EM 270	2700	40.39
A10 EP 90	A10 EM 90	900	16.20
A10 EP 180	A10 EM 180	1800	32.41
A10 EP 270	A10 EM 270	2700	43.75

Class A cover profiles are designed to connect different types of surfaces with level difference up to 5 mm.

## DIFFERENT - LEVEL JUNCTION PROFILES

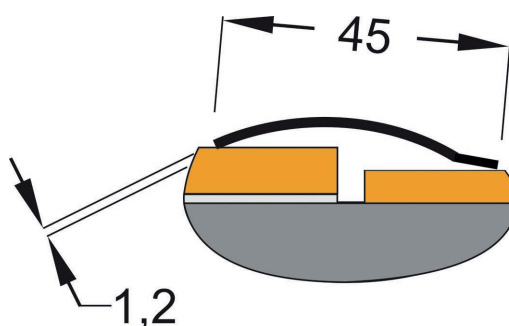


	R3	R4	R5	R6
H	3	4	5	6

ARTICLE			
POLISHED SURFACE	GROUND SURFACE	LENGTH (MM)	PRICE , €
R3 EP 90	R3 EM 90	900	5.46
R3 EP 180	R3 EM 180	1800	6.74
R3 EP 270	R3 EM 270	2700	8.96
R4 EP 90	R4 EM 90	900	6.26
R4 EP 180	R4 EM 180	1800	10.73
R4 EP 270	R4 EM 270	2700	14.49
R5 EP 90	R5 EM 90	900	8.45
R5 EP 180	R5 EM 180	1800	16.91
R5 EP 270	R5 EM 270	2700	22.82
R6 EP 90	R6 EM 90	900	10.23
R6 EP 180	R6 EM 180	1800	20.46
R6 EP 270	R6 EM 270	2700	27.63

Class R junction profiles are designed to connect different types of surfaces with level difference up to 5 mm.

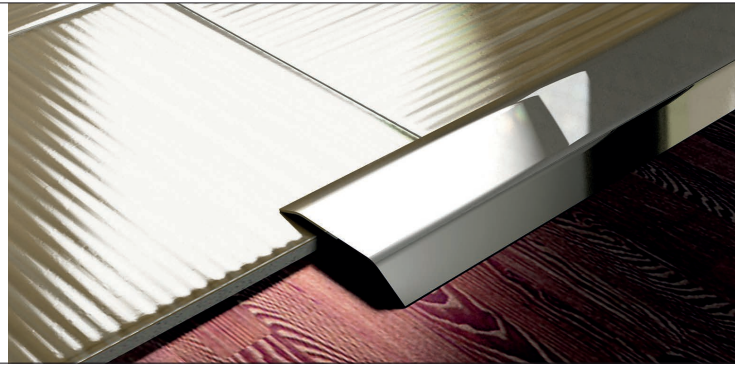
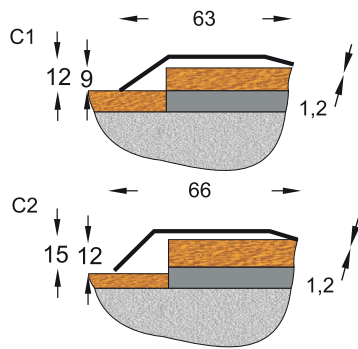
## DIFFERENT -LEVEL JUNCTION PROFILES



ARTICLE			
POLISHED SURFACE	GROUND SURFACE	LENGTH (MM)	PRICE , €
C4 EP 90	C4 EM 90	900	8.31
C4 EP 180	C4 EM 180	1800	16.61
C4 EP 270	C4 EM 270	2700	22.40

Class C junction profiles are designed to connect different types of surfaces with level difference from 4 to 12 mm.

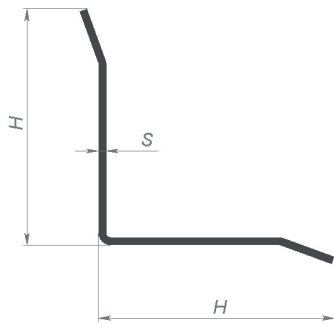
## DIFFERENT-LEVEL JUNCTION PROFILES



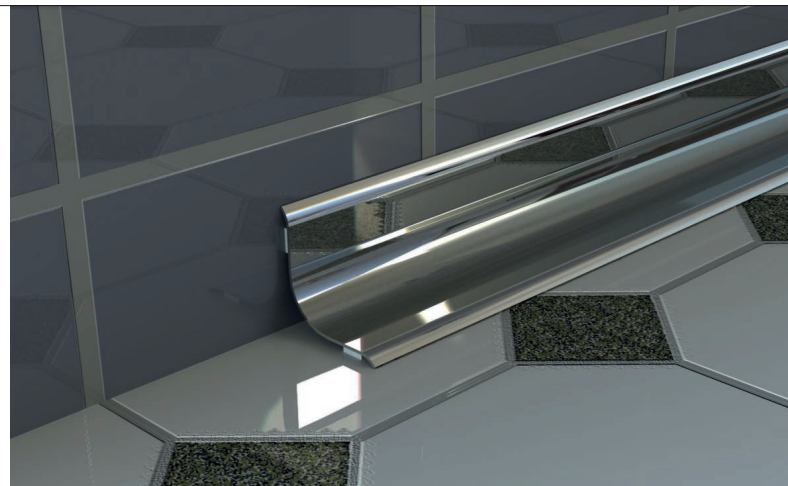
ARTICLE			
POLISHED SURFACE	GROUND SURFACE	LENGTH (MM)	PRICE, €
C1 EP 90	C1 EM 90	900	8.44
C1 EP 180	C1 EM 180	1800	17.28
C1 EP 270	C1 EM 270	2700	23.31
C2 EP 90	C2 EM 90	900	9.15
C2 EP 180	C2 EM 180	1800	18.31
C2 EP 270	C2 EM 270	2700	24.71

Class C junction profiles are designed to connect different types of surfaces with level difference from 6 to 15 mm.

## PROTECTIVE INTERNAL CORNERS



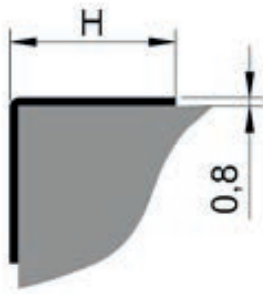
	V15	V20	V30	V40	V50
H	15	20	30	40	50



ARTICLE			
POLISHED SURFACE	GROUND SURFACE	LENGTH (MM)	PRICE, €
V15 EP 300	V15 EM 300	3000	7.33
V20 EP 300	V20 EM 300	3000	8.13
V30 EP 300	V30 EM 300	3000	11.66
V40 EP 300	V40 EM 300	3000	20.74
V50 EP 300	V50 EM 300	3000	25.92

Protective internal corner is designed to cover the junction of different coatings of the internal corners as well as to protect it from attrition, deformation and destruction in case of the mechanical influence. It splendidly covers rough edges of the used materials.

## PROTECTIVE CORNERS

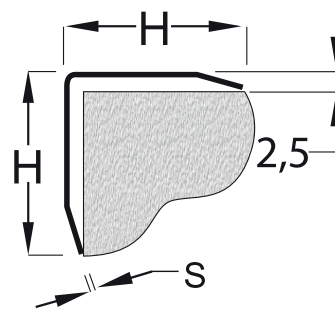


	L10	L15	L20	L30	L40	L50
H	10	15	20	30	40	50

### ARTICLE

POLISHED SURFACE	GROUND SURFACE	LENGTH (MM)	PRICE, €
L10 EP 250	L10 EM 250	2500	6.03
L15 EP 300	L15 EM 300	3000	9.91
L20 EP 300	L20 EM 300	3000	13.12
L30 EP 300	L30 EM 300	3000	13.90
L40 EP 300	L40 EM 300	3000	24.23
L50 EP 300	L50 EM 300	3000	30.30

## PROTECTIVE CORNERS



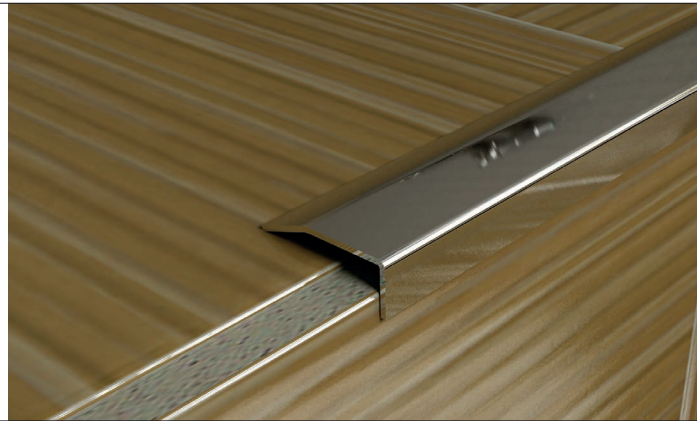
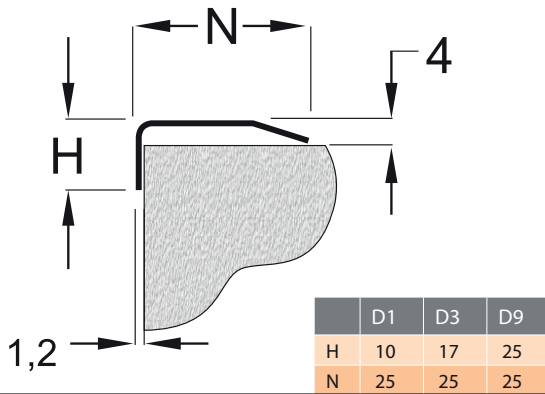
	D15	D20	D30	D40	D50	D60	D70	D80	D90	D100
H	15	20	30	40	50	60	70	80	90	100

### ARTICLE

POLISHED SURFACE	GROUND SURFACE	LENGTH (MM)	PRICE, €
D15 EP 300	D15 EM 300	3000	10.14
D20 EP 300	D20 EM 300	3000	11.26
D30 EP 300	D30 EM 300	3000	16.15
D40 EP 300	D40 EM 300	3000	28.72
D50 EP 300	D50 EM 300	3000	33.91
D60 EP 300	D60 EM 300	3000	40.68
D70 EP 300	D70 EM 300	3000	50.85
D80 EP 300	D80 EM 300	3000	72.66
D90 EP 300	D90 EM 300	3000	84.77
D100 EP 300	D100 EM 300	3000	101.73

Protective (external) corner is designed to cover the junction of different coatings of the corners as well as to protect it from attrition, deformation and destruction in case of the mechanical influence.

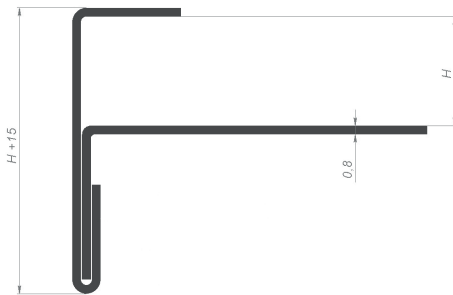
## STAIRS COVER



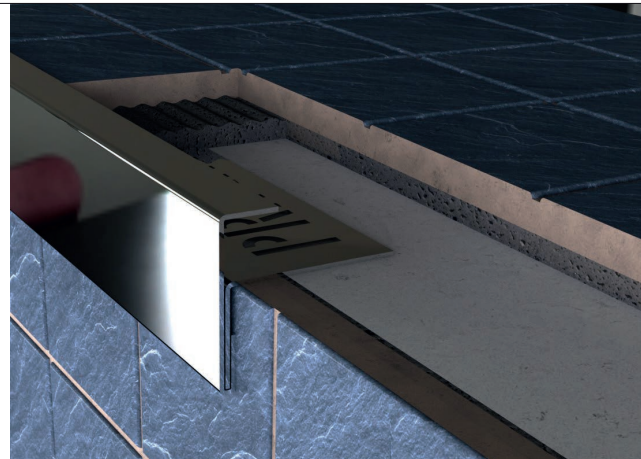
ARTICLE			
POLISHED SURFACE	GROUND SURFACE	LENGTH (MM)	PRICE , €
D1 EP 90	D1 EM 90	900	7.63
D1 EP 180	D1 EM 180	1800	9.94
D1 EP 270	D1 EM 270	2700	13.41
D3 EP 90	D3 EM 90	900	8.05
D3 EP 180	D3 EM 180	1800	11.99
D3 EP 270	D3 EM 270	2700	16.18
D9 EP 90	D9 EM 90	900	8.44
D9 EP 180	D9 EM 180	1800	13.91
D9 EP 270	D9 EM 270	2700	18.77

Stairs cover is designed to protect the external corner of stairs from attrition, splits and deformations.

## F-SHAPED PROFILE FOR STAIRS PROTECTION



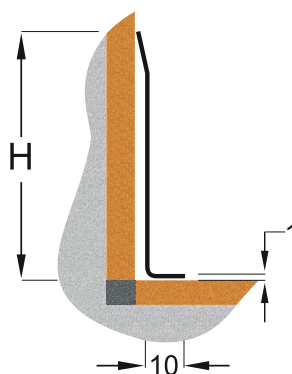
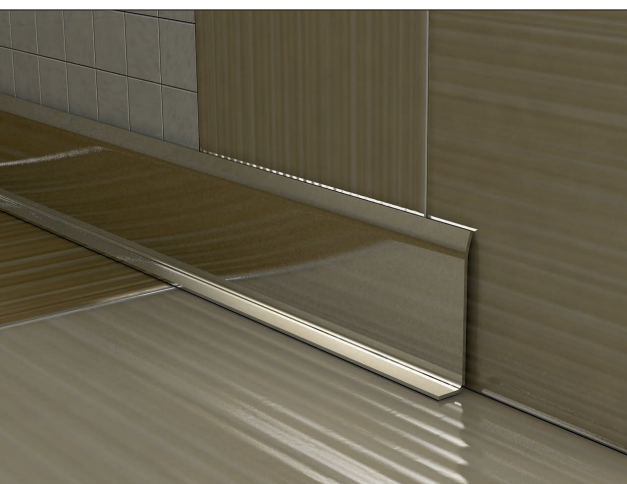
	DV8	DV10	DV12	DV15
H	8	10	12	15



ARTICLE			
POLISHED SURFACE	GROUND SURFACE	LENGTH (MM)	PRICE , €
DV 8 EP 250	DV 8 EM 250	2500	17.36
DV 10 EP 250	DV 10 EM 250	2500	18.27
DV 12 EP 250	DV 12 EM 250	2500	19.18
DV 15 EP 250	DV 15 EM 250	2500	20.14



## L-SHAPED PLINTHS

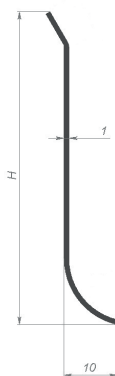
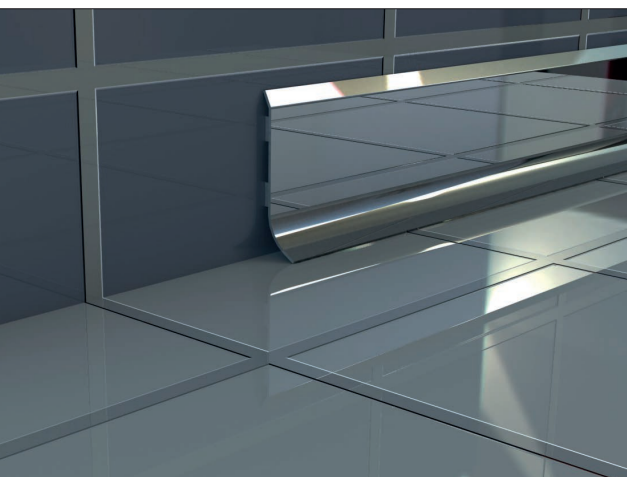


NAME	PL40	PL60	PL80	PL100
H	40	60	80	100

### ARTICLE

POLISHED SURFACE	GROUND SURFACE	LENGTH (MM)	PRICE, €
PL 40 EP 250	PL 40 EM 250	2500	11.46
PL 60 EP 250	PL 60 EM 250	2500	16.13
PL 80 EP 250	PL 80 EM 250	2500	19.79
PL 100 EP 250	PL 100 EM 250	2500	23.39

## L-SHAPED PLINTHS



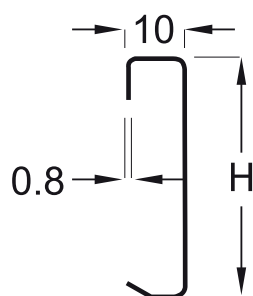
NAME	PLR40	PLR60	PLR80	PLR100
H	40	60	80	100

### ARTICLE

POLISHED SURFACE	GROUND SURFACE	LENGTH (MM)	PRICE, €
PLR 40 EP 250	PLR 40 EM 250	2500	11.42
PLR 60 EP 250	PL60 EM 270	2500	16.13
PLR 80 EP 250	PLR 80 EM 250	2500	19.79
PLR 100 EP 250	PLR 100 EM 250	2500	23.39

L-shaped plinth is designed to cover the junction between floor coating and a wall. It is recommended for column finishing.

## PLINTHS WITH SNAP FASTENERS



NAME	PC40	PC60	PC80	PC100	PC120	PC150
H	40	60	80	100	120	150

ARTICLE			
POLISHED SURFACE	GROUND SURFACE	LENGTH (MM)	PRICE, €
PC40 EP 250	PC40 EM 250	2500	14.08
<b>fastener</b>			1.67
<b>Right stub</b>	<b>Left stub</b>	150	2.93
PC60 EP 250	PC60 EM 250	2500	15.60
<b>fastener</b>			1.76
<b>Right stub</b>	<b>Left stub</b>	150	3.90
PC80 EP 250	PC80 EM 250	2500	18.72
<b>fastener</b>			1.85
<b>Right stub</b>	<b>Left stub</b>	150	4.68
PC100 EP 250	PC100 EM 250	2500	23.40
<b>fastener</b>			1.94
<b>Right stub</b>	<b>Left stub</b>	150	5.85
PC120 EP 250	PC120 EM 250	2500	26.75
<b>fastener</b>			2.04
<b>Right stub</b>	<b>Left stub</b>	150	6.69
PC150 EP 250	PC150 EM 250	2500	31.20
<b>fastener</b>			2.14
<b>Right stub</b>	<b>Left stub</b>	150	7.80

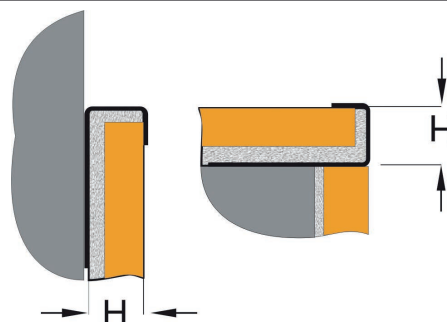
The plinth with snap fastener is designed to cover the junction between floor coating and a wall.



## FINISHING PROFILES FOR GLAZED TILE

### EXTERNAL PROFILE FOR GLAZED TILE

ALL PROFILES FOR GLAZED TILE HAS A PERFORATION FOR MOUNTING



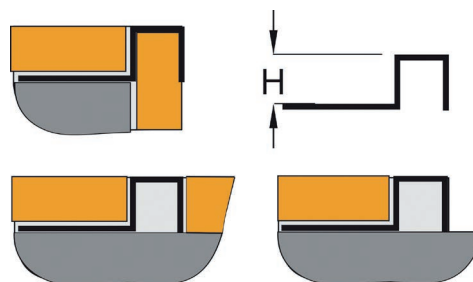
NAME	K6	K8	K10	K12	K15
H	6	8	10	12	15

#### ARTICLE

POLISHED SURFACE	GROUND SURFACE	LENGTH (MM)	PRICE, €
K6 EP 270	K6 EM 270	2700	11.02
K8 EP 270	K8 EM 270	2700	11.60
K10 EP 270	K10 EM 270	2700	13.11
K12 EP 270	K12 EM 270	2700	14.36
K15 EP 270	K15 EM 270	2700	16.74

External profile for glazed tiles is designed for decorative finishing of the junction between glazed tile (stone) and tiles or other coatings. It protects the corners from attrition and splits.

### EXTERNAL PROFILE FOR GLAZED TILE



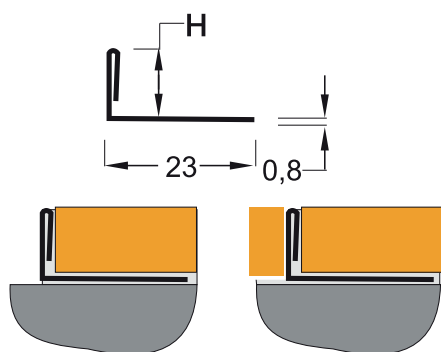
NAME	KU6	KU8	KU10	KU12	KU15
H	6	8	10	12	15

#### ARTICLE

POLISHED SURFACE	GROUND SURFACE	LENGTH (MM)	PRICE, €
KU6 EP 270	KU6 EM 270	2700	10.70
KU8 EP 270	KU8 EM 270	2700	12.06
KU10 EP 270	KU10 EM 270	2700	13.71
KU12 EP 270	KU12 EM 270	2700	15.08
KU15 EP 270	KU15 EM 270	2700	16.74

External profile for glazed tiles is designed for decorative finishing of junction between glazed tile (stone) and tiles or other coatings. It protects the corners from attrition and splits.

## L-SHAPED PROFILE FOR GLAZED TILES



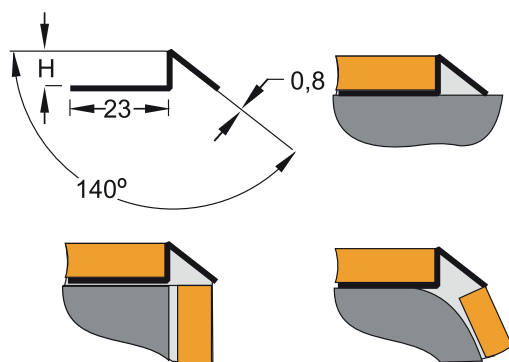
	GL6	GL8	GL10	GL12	GL15
H	6	8	10	12	15

### ARTICLE

POLISHED SURFACE	GROUND SURFACE	LENGTH (MM)	PRICE , €
GL6 EP 270	GL6 EM 270	2700	11.50
GL8 EP 270	GL8 EM 270	2700	12.11
GL10 EP 270	GL10 EM 270	2700	13.38
GL12 EP 270	GL12 EM 270	2700	14.35
GL15 EP 270	GL15 EM 270	2700	16.86

L-shaped profile for glazed tiles is designed for decorative finishing of tile edges as well as for separating different types of surfaces.

## EXTERNAL PROFILE FOR GLAZED TILES



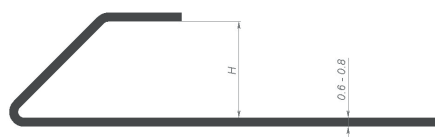
	KS6	KS8	KS10	KS12	KS15
H	6	8	10	12	15

### ARTICLE

POLISHED SURFACE	GROUND SURFACE	LENGTH (MM)	PRICE , €
KS6 EP 270 (H=8)	KS6 EM 270 (H=8)	2700	11.02
KS8 EP 270 (H=8)	KS8 EM 270 (H=8)	2700	11.60
KS10 EP 270 (H=10)	KS10 EM 270 (H=10)	2700	13.11
KS12 EP 270 (H=12)	KS12 EM 270 (H=12)	2700	14.36
KS15 EP 270 (H=15)	KS15 EM 270 (H=15)	2700	16.75

External profile for glazed tiles is designed for decorative finishing of junction between glazed tile (stone) and tiles or other coatings. It protects the corners from attrition and splits.

## EXTERNAL PROFILE FOR GLAZED TILES

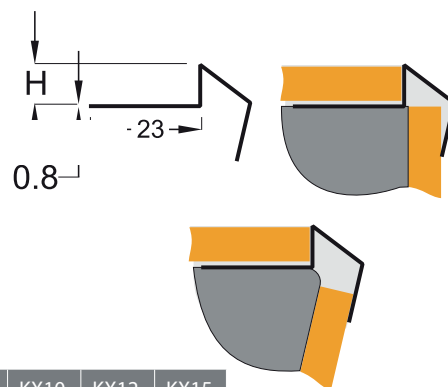
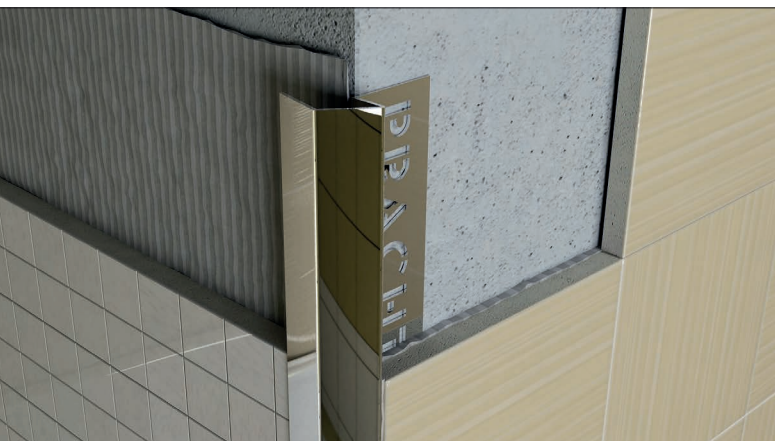


	KG6	KG8	KG10	KG12	KG15
H	6	8	10	12	15

ARTICLE			
POLISHED SURFACE	GROUND SURFACE	LENGTH (MM)	PRICE , €
KG 6 EP 270	KG 6 EM 270	2700	12.09
KG 8 EP 270	KG 8 EM 270	2700	12.72
KG 10 EP 270	KG 10 EM 270	2700	14.00
KG 12 EP 270	KG 12 EM 270	2700	14.73
KG 15 EP 270	KG 15 EM 270	2700	15.56

External profile for glazed tiles is designed for decorative finishing of junction between glazed tile (stone) and tiles or other coatings. It protects the corners from attrition and splits.

## НАРУЖНЫЙ ПРОФИЛЬ ДЛЯ КЕРАМИЧЕСКОЙ ПЛИТКИ



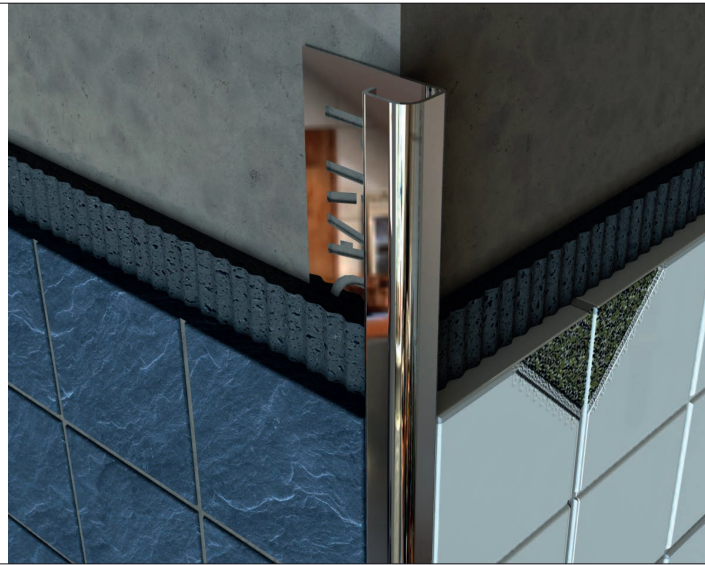
	KX8	KX10	KX12	KX15
H	8	10	12	15

ARTICLE			
POLISHED SURFACE	GROUND SURFACE	LENGTH (MM)	PRICE , €
KX8 EP 270 (H=8)	KX8 EM 270 (H=8)	2700	14.49
KX10 EP 270 (H=10)	KX10 EM 270 (H=10)	2700	15.24
KX12 EP 270 (H=12)	KX12 EM 270 (H=12)	2700	15.26
KX15 EP 270 (H=15)	KX15 EM 270 (H=15)	2700	16.06

External profile for glazed tiles is designed for decorative finishing of junction between glazed tile (stone) and tiles or other coatings. It protects the corners from attrition and splits.

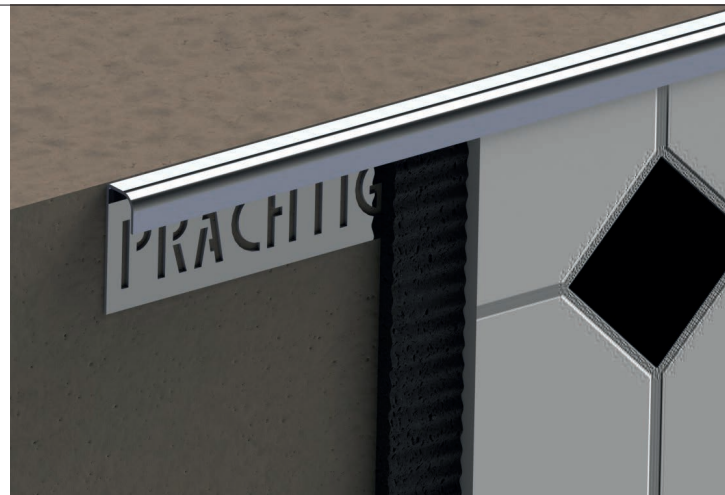
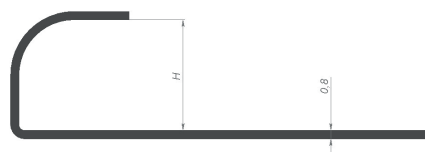


## EXTERNAL SEMI-CIRCULAR PROFILE WITH LOCK FOR GLAZED TILES



ARTICLE			
POLISHED SURFACE	GROUND SURFACE	LENGTH (MM)	PRICE, €
KRF 15 EP 270	KRF 15 EM	2700	18.44

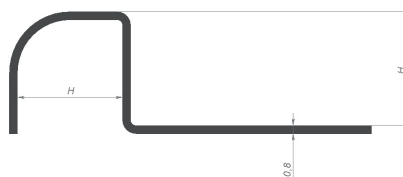
## EXTERNAL SEMI-CIRCULAR PROFILE FOR GLAZED TILES



	KR8	KR10	KR12	KR15
H	8	10	12	15

ARTICLE			
POLISHED SURFACE	GROUND SURFACE	LENGTH (MM)	PRICE, €
KR 8 EP 270	KR 8 EM 270	2700	11.60
KR 10 EP 270	KR 10 EM 270	2700	13.12
KR 12 EP 270	KR 12 EM 270	2700	14.37
KR 15 EP 270	KR 15 EM 270	2700	16.74

## EXTERNAL SEMI-CIRCULAR PROFILE FOR GLAZED TILES

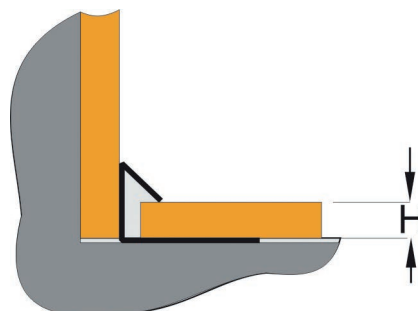


NAME	KUR10	KUR12	KUR15
H	10	12	15

### ARTICLE

POLISHED SURFACE	GROUND SURFACE	LENGTH (MM)	PRICE, €
KUR 10 EP 270	KUR 10 EM 270	2700	14.60
KUR 12 EP 270	KUR 12 EM 270	2700	16.00
KUR 15 EP 270	KUR 15 EM 270	2700	18.67

## INTERNAL CORNER FOR GLAZED TILES



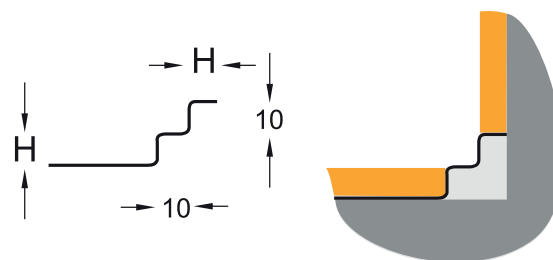
NAME	KI8	KI10	KI12	KI15
H	8	10	12	15

### ARTICLE

POLISHED SURFACE	GROUND SURFACE	LENGTH (MM)	PRICE, €
KI8 EP 270	KI8 EM 270	2700	14.00
KI10 EP 270	KI10 EM 270	2700	14.72
KI12 EP 270	KI12 EM 270	2700	15.56
KI15 EP 270	KI15 EM 270	2700	16.02

Internal profile for glazed tiles is designed for decorative finishing of junction between glazed tile (stone) and tiles or other coatings as well as to protect the corner from the dirt and the moisture.

## INTERNAL CORNER FOR GLAZED TILES



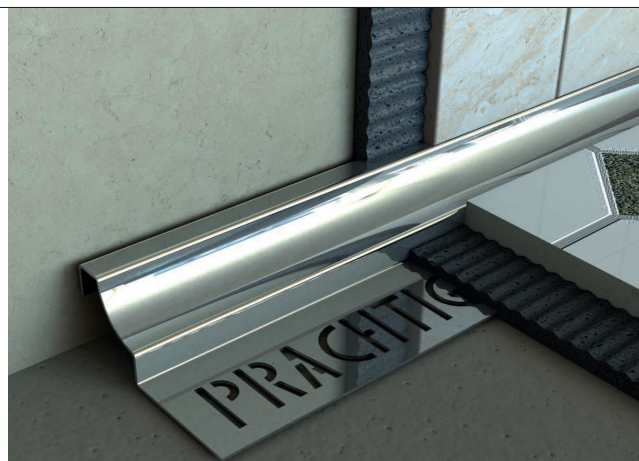
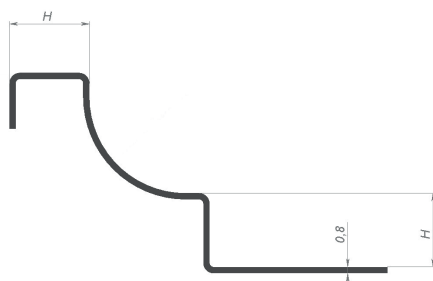
NAME	KW8	KW10	KW12	KW15
H	8	10	12	15

### ARTICLE

POLISHED SURFACE	GROUND SURFACE	LENGTH (MM)	PRICE, €
KW8 EP 270	KW8 EM 270	2700	13.85
KW10 EP 270	KW10 EM 270	2700	15.30
KW12 EP 270	KW12 EM 270	2700	16.12
KW15 EP 270	KW15 EM 270	2700	17.10

Internal profile for glazed tiles is designed for decorative finishing of junction between glazed tile (stone) and tiles or other coatings as well as to protect the corner from the dirt and the moisture.

## INTERNAL CORNER FOR GLAZED TILES



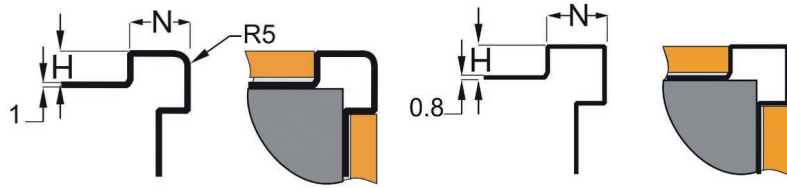
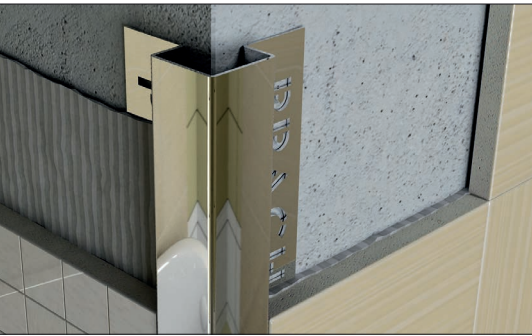
NAME	KWR8	KWR10	KWR12	KWR15
H	8	10	12	15

### ARTICLE

POLISHED SURFACE	GROUND SURFACE	LENGTH (MM)	PRICE, €
KWR 8 EP 270	KWR 8 EM 270	2700	19.17
KWR 10 EP 270	KWR 10 EM 270	2700	20.13
KWR 12 EP 270	KWR 12 EM 270	2700	21.14
KWR 15 EP 270	KWR 15 EM 270	2700	22.21



## ANTI-VANDAL PROFILE FOR GLAZED TILES



	AV10	AV14
H	10	14
N	22	25

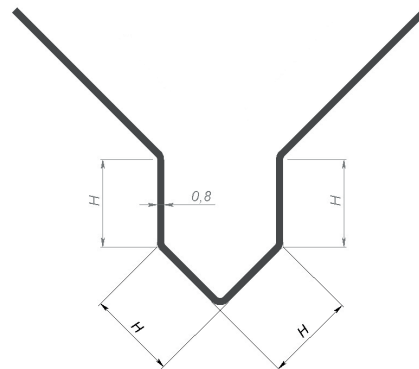
	DK10	DK14
H	10	14
N	20	25

### ARTICLE

POLISHED SURFACE	GROUND SURFACE	LENGTH (MM)	PRICE, €
DK10 EP 270	DK10 EM 270	2700	27.42
DK14 EP 270	DK14 EM 270	2700	30.16
AV10 EP 270	AV10 EM 270	2700	41.40
AV14 EP 270	AV14 EM 270	2700	45.24

Anti-vandal profile for glazed tiles is designed for decorative finishing of junction between glazed tile (stone) and tiles or other coatings. It safely protects the corners from destruction and attrition caused by mechanical impact. It is recommended for use in places with high passability.

## PROTECTIVE PROFILE FOR PLASTER AND GLAZED TILES

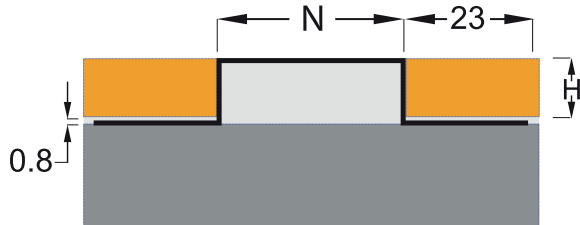


	DKM10	DKM12	DKM15
H	10	12	15

### ARTICLE

POLISHED SURFACE	GROUND SURFACE	LENGTH (MM)	PRICE, €
DKM 10 EP 250	DKM 10 EM 250	2500	17.81
DKM 12 EP 250	DKM 12 EM 250	2500	18.71
DKM 15 EP 250	DKM 15 EM 250	2500	19.65

## CURB PROFILE

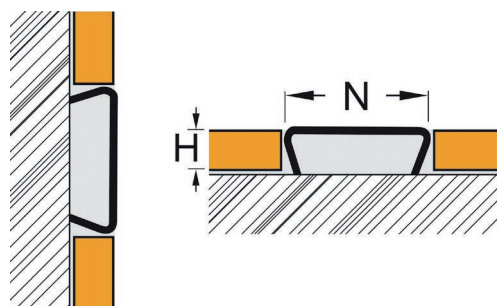
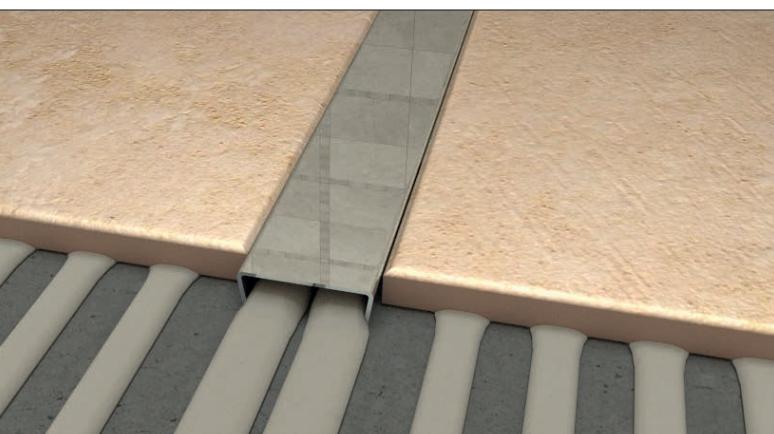


	G15/8	G15/10	G15/12	G15/15	G20/8	G20/10	G20/12	G20/15
H	15	15	15	15	20	20	20	20
N	8	10	12	15	8	10	12	15

	G25/8	G25/10	G25/12	G25/15	G30/8	G30/10	G30/12	G30/15
H	25	25	25	25	30	30	30	30
N	8	10	12	15	8	10	12	15

ARTICLE			
POLISHED SURFACE	GROUND SURFACE	LENGTH (MM)	PRICE , €
G15/8 EP 270	G15/8 EM 270	H=8	14.86
G15/10 EP 270	G15/10 EM 270	H=10	16.04
G15/12 EP 270	G15/12 EM 270	H=12	23.26
G15/15 EP 270	G15/15 EM 270	H=15	23.51
G20/8 EP 270	G20/8 EM 270	H=8	21.69
G20/10 EP 270	G20/10 EM 270	H=10	23.49
G20/12 EP 270	G20/12 EM 270	H=12	24.55
G20/15 EP 270	G20/15 EM 270	H=15	25.56
G25/8 EP 270	G25/8 EM 270	H=8	22.82
G25/10 EP 270	G25/10 EM 270	H=10	24.72
G25/12 EP 270	G25/12 EM 270	H=12	25.84
G25/15 EP 270	G25/15 EM 270	H=15	26.97
G30/8 EP 270	G30/8 EM 270	H=8	24.03
G30/10 EP 270	G30/10 EM 270	H=10	26.03
G30/12 EP 270	G30/12 EM 270	H=12	27.19
G30/15 EP 270	G30/15 EM 270	H=15	28.39

## CURB PROFILE



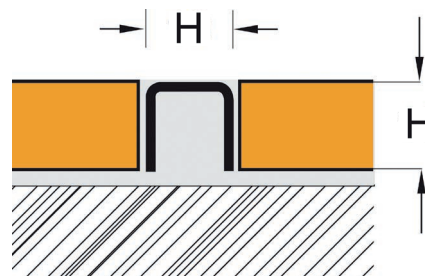
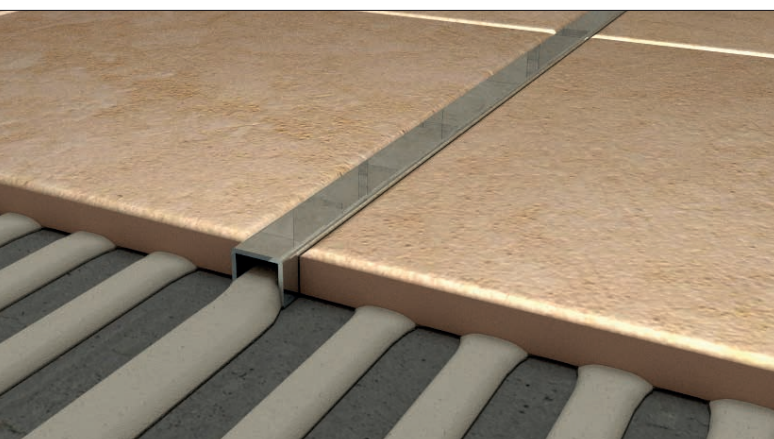
	UC8 /20	UC12 /20	UC8 /25	UC12 /25
H	8	12	8	12
N	20	20	25	25

### ARTICLE

POLISHED SURFACE	GROUND SURFACE	LENGTH (MM)	PRICE , €
UC8/20 EP 270	UC8/20 EM 270	2700	12.50
UC12/20 EP 270	UC12/20 EM 270	2700	14.91
UC8/25 EP 270	UC8/25 EM 270	2700	14.46
UC12/25 EP 270	UC12/25 EM 270	2700	16.86

Curb profile for glazed tiles is designed for decorative finishing for joining different types of surfaces.

## CURB PROFILE



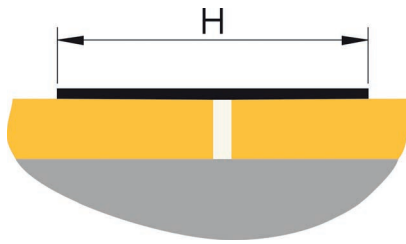
	U10	U12	U15	U20
H	10	12	15	20

### ARTICLE

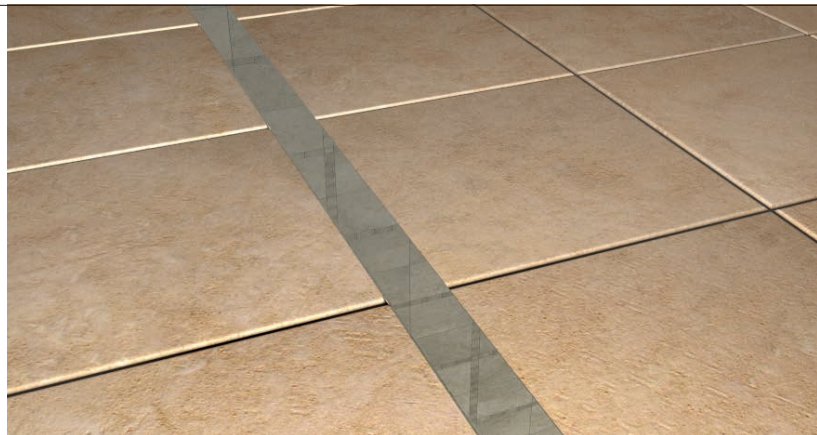
POLISHED SURFACE	GROUND SURFACE	LENGTH (MM)	PRICE , €
U10 EP 270	U10 EM 270	2700	5.26
U12 EP 270	U12 EM 270	2700	8.19
U15 EP 270	U15 EM 270	2700	10.22
U20 EP 270	U20 EM 270	2700	13.64

Curb profile for glazed tiles is designed for decorative finishing for joining different types of surfaces.

## DECORATIVE STRIPE

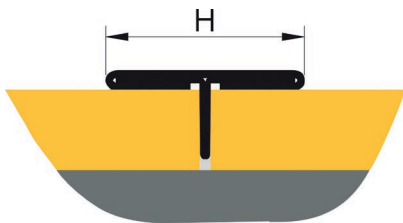


	E15	E20	E30
H	15	20	30

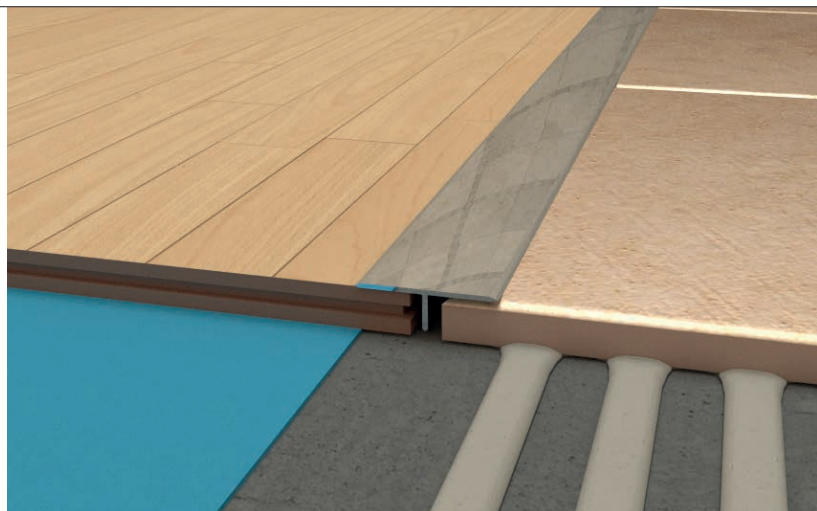


ARTICLE			
POLISHED SURFACE	GROUND SURFACE	LENGTH (MM)	PRICE , €
E15 EP 100	E15 EM 100	1000	6.88
E15 EP 200	E15 EM 200	2000	8.08
E20 EP 100	E20 EM 100	1000	7.16
E20 EP 200	E20 EM 200	2000	9.59
E30 EP100	E30 EM 100	100	7.51
E30 EP 200	E30 EM 200	200	9.94

## CURB PROFILE



	T20	T25	T30
H	20	25	30

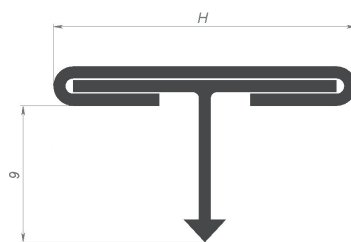
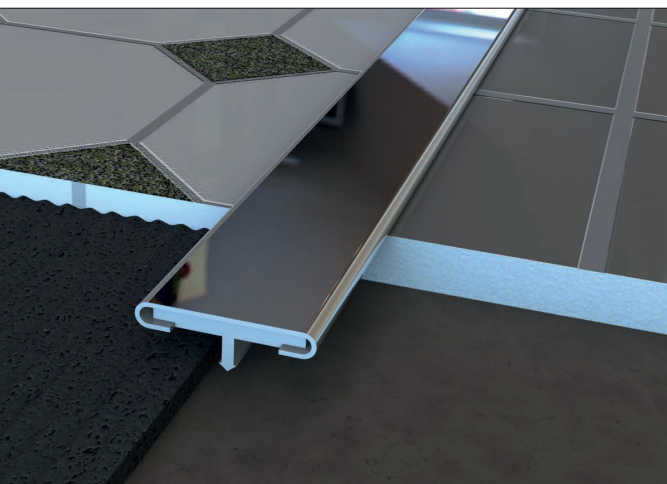


ARTICLE			
POLISHED SURFACE	GROUND SURFACE	LENGTH (MM)	PRICE , €
T20 EP 250	T20 EM 250	2500	23.00
T25 EP 250	T25 EM 250	2500	23.89
T30 EP 250	T30 EM 250	2500	24.92

Curb profile for glazed tiles is designed for decorative finishing for joining different types of surfaces.



## T-SHAPED PROFILE WITH AN ALUMINIUM INSERT

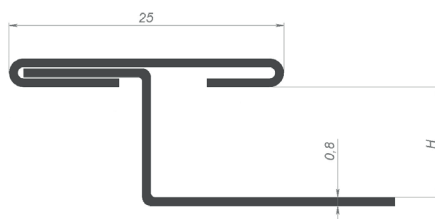
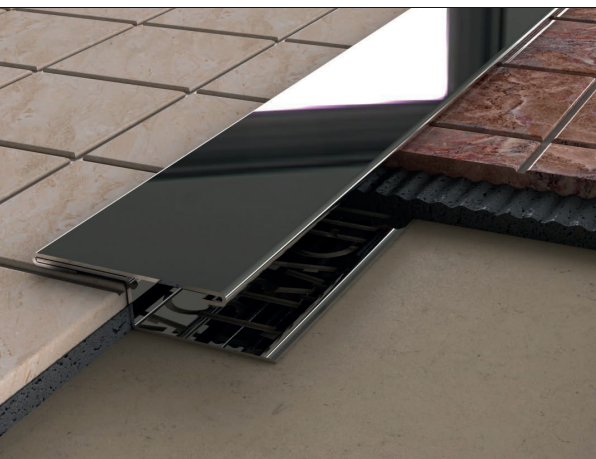


	TA15	TA20	TA28
H	15	20	28

### ARTICLE

POLISHED SURFACE	GROUND SURFACE	LENGTH (MM)	PRICE, €
TA 15 EP 250	TA 15 EM 250	2500	11.97
TA 20 EP 250	TA 20 EM 250	2500	13.88
TA 28 EP 250	TA 28 EM 250	2500	15.77
Крепежный элемент			1.17

## T-SHAPED PROFILE WITH ADDITIONAL FIXATION



	TK8	TK10	TK12	TK15
H	8	10	12	15

### ARTICLE

POLISHED SURFACE	GROUND SURFACE	LENGTH (MM)	PRICE, €
TK 8 EP 250	TK 8 EM 250	2500	16.12
TK 10 EP 250	TK 10 EM 250	2500	16.96
TK 12 EP 250	TK 12 EM 250	2500	17.81
TK 15 EP 250	TK 15 EM 250	2500	18.71

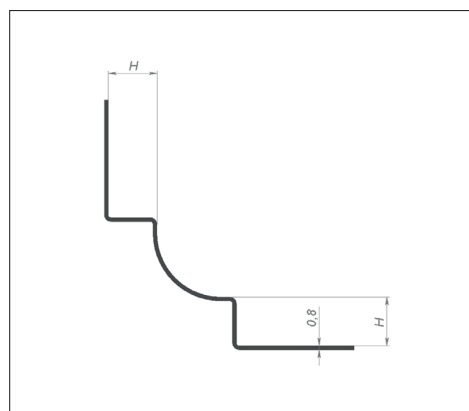
# WE ARE ALWAYS IMPROVING AND DEVELOPING NEW PROFILES

## OUR INNOVATIONS

### INTERNAL CORNER FOR GLAZED TILES

ARTICLE			
POLISHED SURFACE	GROUND SURFACE	LENGTH (MM)	PRICE, €
KMR 8 EP 270	KMR 8 EM 270	2700	21.77
KMR 10 EP 270	KMR 10 EM 270	2700	22.91
KMR 12 EP 270	KMR 12 EM 270	2700	24.01
KMR 15 EP 270	KMR 15 EM 270	2700	25.21

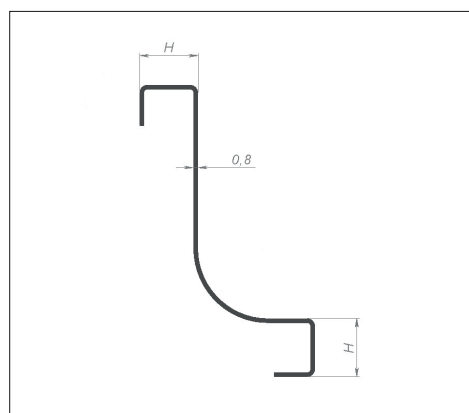
	KMR8	KMR10	KMR12	KMR15
H	8	10	12	15



### PLINTH FOR GLAZED TILES

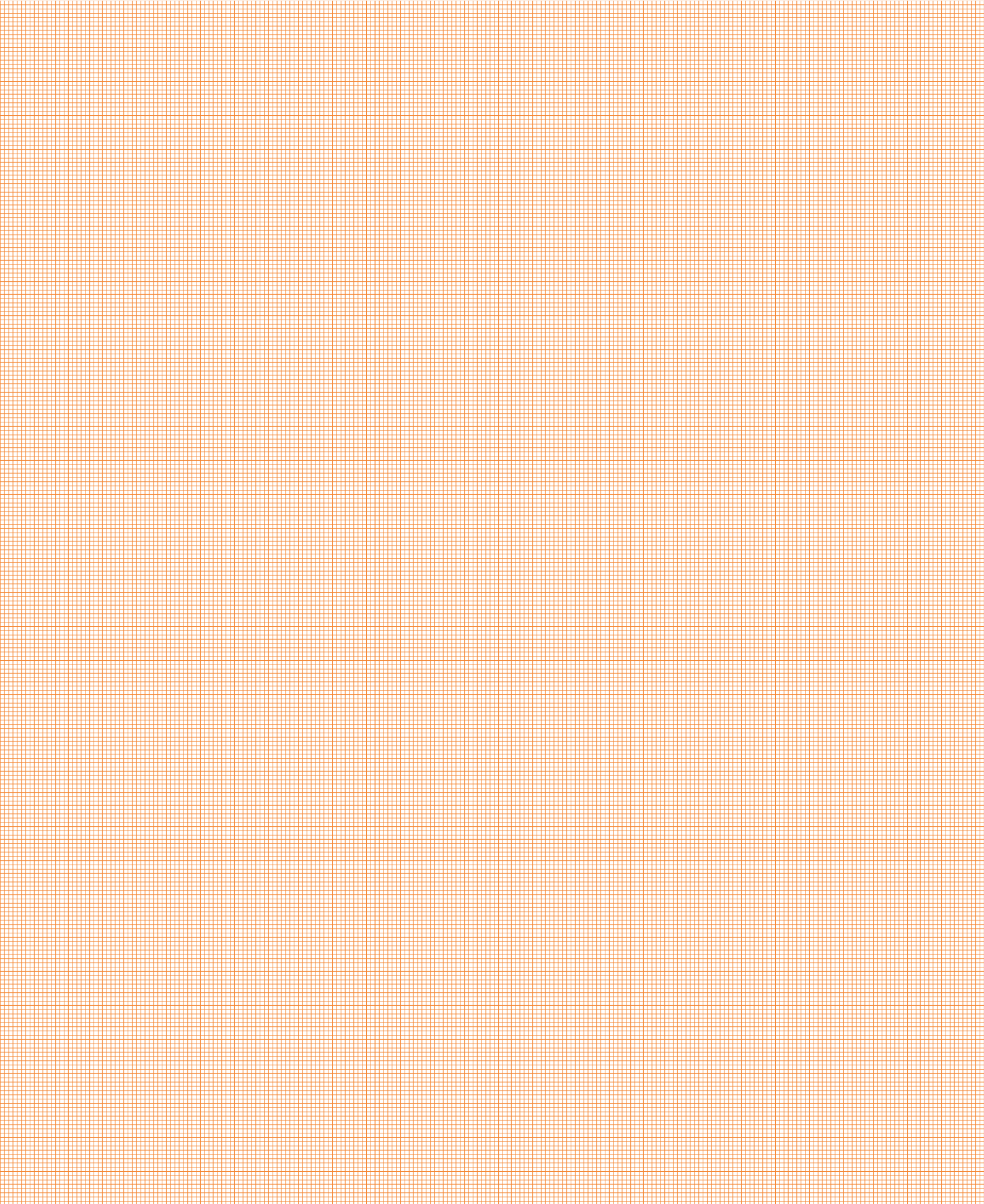
ARTICLE			
POLISHED SURFACE	GROUND SURFACE	LENGTH (MM)	PRICE, €
PJ 8 EP 270	PJ 8 EM 270	2700	25.12
PJ 10 EP 270	PJ 10 EM 270	2700	26.78
PJ 12 EP 270	PJ 12 EM 270	2700	28.13
PJ 15 EP 270	PJ 15 EM 270	2700	29.53

	PJ8	PJ10	PJ12	PJ15
H	8	10	12	15





# NOTES





192102

SALOVA ST., 37, SAINT-PETERSBURG, RUSSIA

PHONE: 8 (800) 775 51 61,

[WWW.PRACHTIG.NET](http://WWW.PRACHTIG.NET)